

CANTER 918H

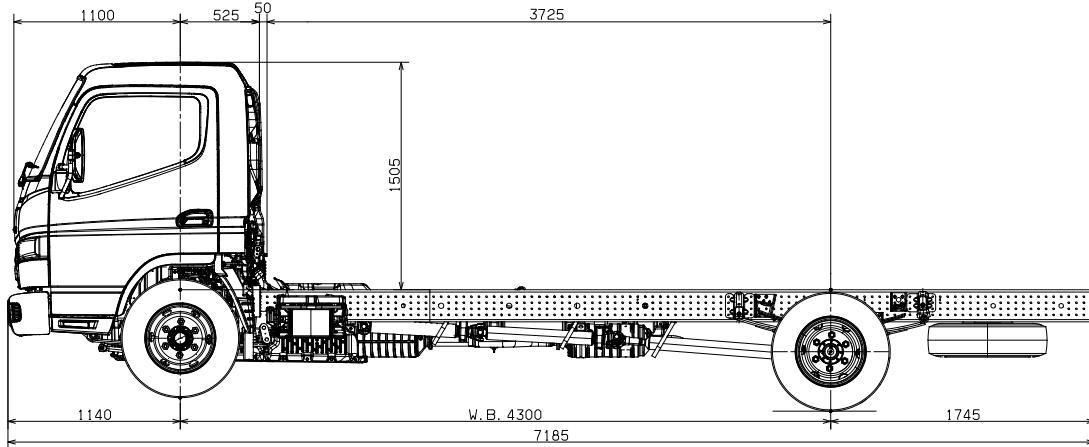
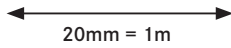


LONG WHEELBASE
DUONIC | 4x2

FECX1HR3SFBH

BODYBUILDER PROFILE

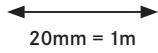
PLEASE NOTE: PRINT AT 100% SIZE FOR SCALE



FECX1HR3SFBH

TECHNICAL DRAWINGS

PLEASE NOTE: PRINT AT 100% SIZE FOR SCALE



COMING SOON

CANTER 918H

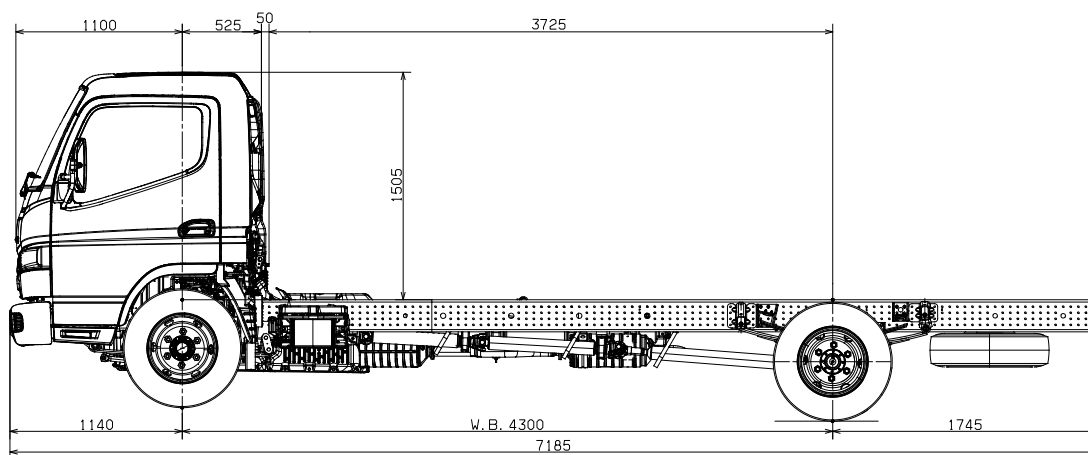
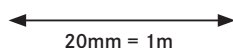


**LONG WHEELBASE
MANUAL | 4x2**

FECX1HR4SFBH

BODYBUILDER PROFILE

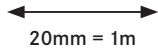
PLEASE NOTE: PRINT AT 100% SIZE FOR SCALE



FECX1HR4SFBH

TECHNICAL DRAWINGS

PLEASE NOTE: PRINT AT 100% SIZE FOR SCALE



COMING SOON

CANTER 918G

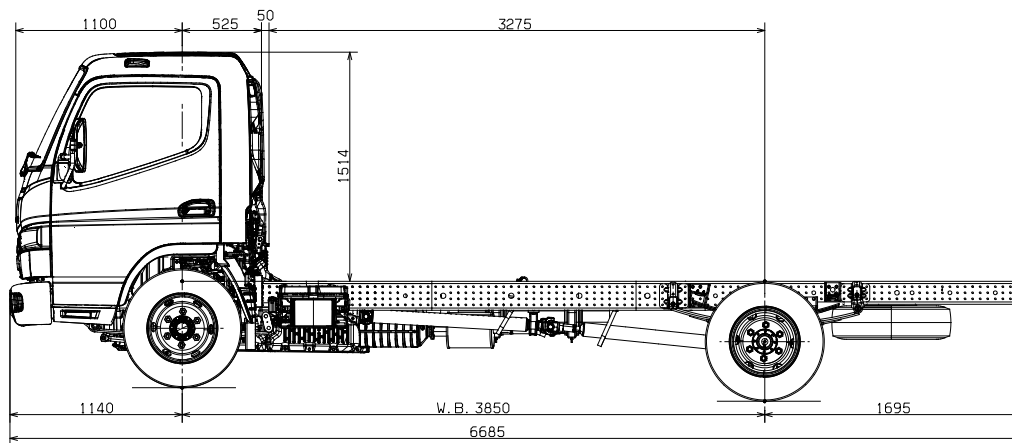
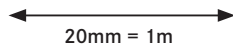


LONG WHEELBASE
DUONIC | 4x2

FECX1GR3SFBH

BODYBUILDER PROFILE

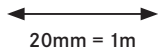
PLEASE NOTE: PRINT AT 100% SIZE FOR SCALE



FECX1GR3SFBH

TECHNICAL DRAWINGS

PLEASE NOTE: PRINT AT 100% SIZE FOR SCALE



COMING SOON

CANTER 918G

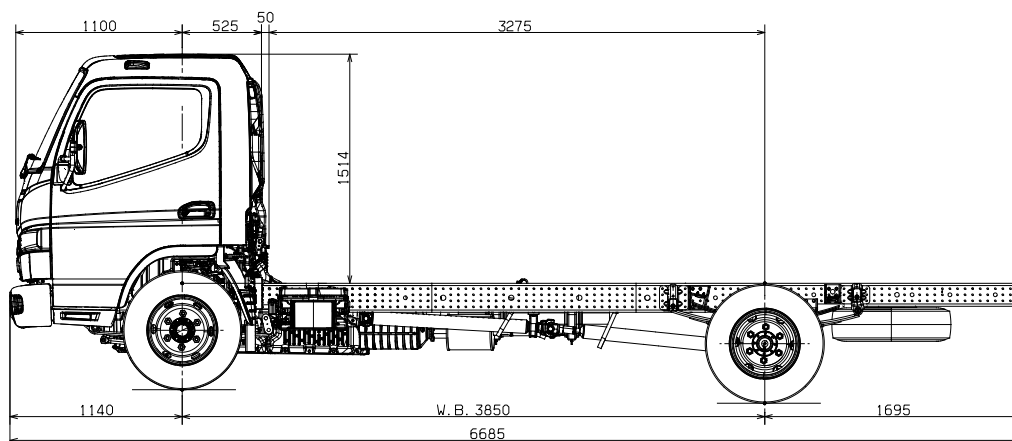
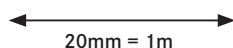


**LONG WHEELBASE
MANUAL | 4x2**

FECX1GR4SFBH

BODYBUILDER PROFILE

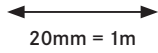
PLEASE NOTE: PRINT AT 100% SIZE FOR SCALE



FECX1GR4SFBH

TECHNICAL DRAWINGS

PLEASE NOTE: PRINT AT 100% SIZE FOR SCALE



COMING SOON