

CANTER 716C 4WD

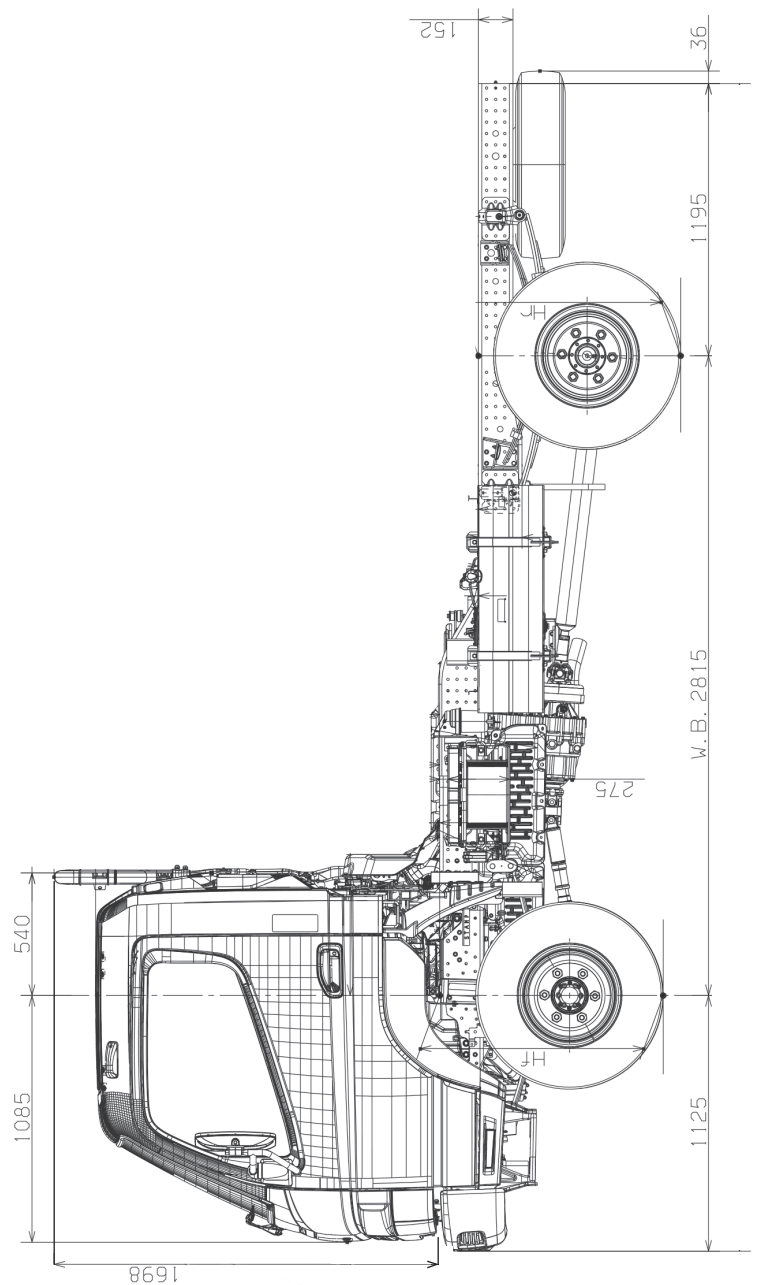
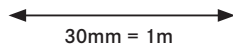


WIDE CAB MANUAL | 4x4

FG71CR6SFBG

BODYBUILDER PROFILE

PLEASE NOTE: PRINT AT 100% SIZE FOR SCALE

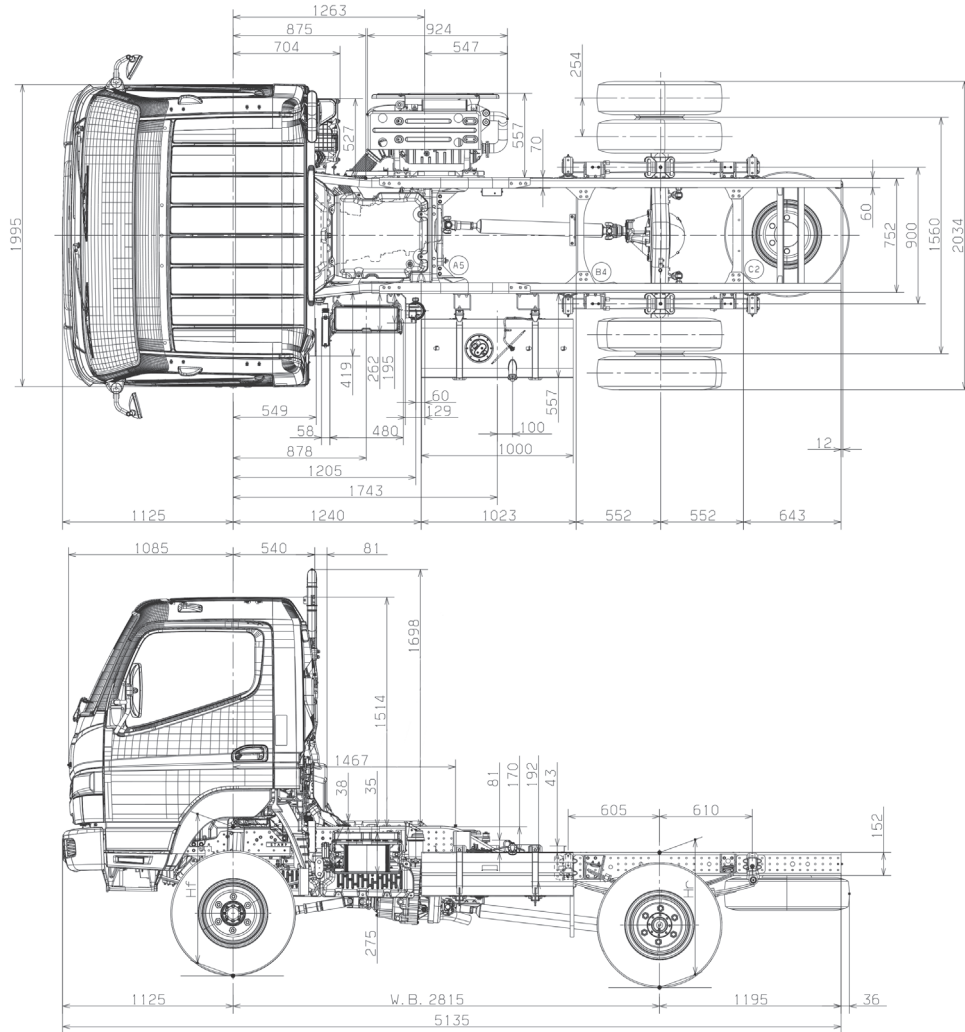


FGB71CR6SFBG

TECHNICAL DRAWINGS

PLEASE NOTE: PRINT AT 100% SIZE FOR SCALE

↔
20mm = 1m



CANTER 716E 4WD

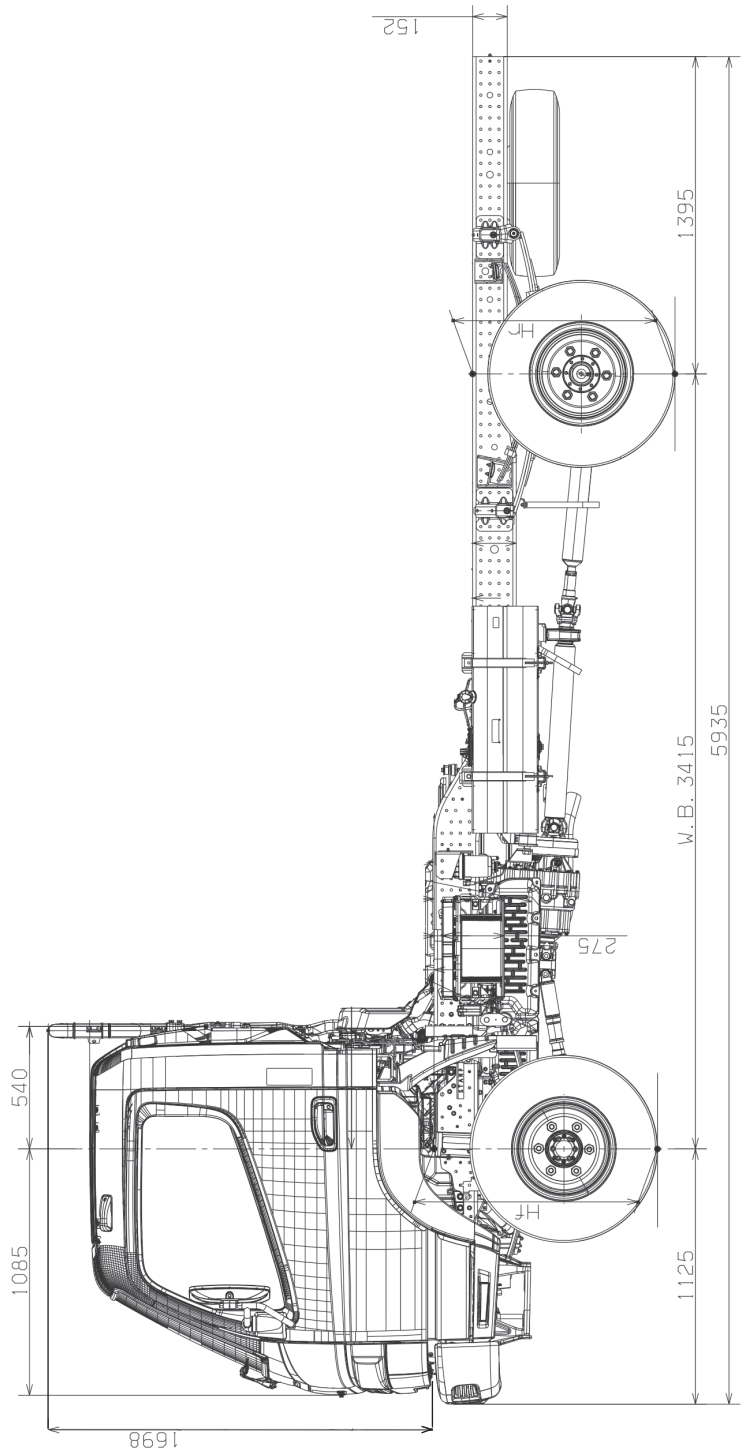
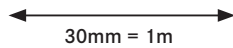


WIDE CAB MANUAL | 4x4

FG71ER6SFBG

BODYBUILDER PROFILE

PLEASE NOTE: PRINT AT 100% SIZE FOR SCALE



FGB71ER6SFBG

TECHNICAL DRAWINGS

PLEASE NOTE: PRINT AT 100% SIZE FOR SCALE

↔
20mm = 1m

