

CANTER 516C

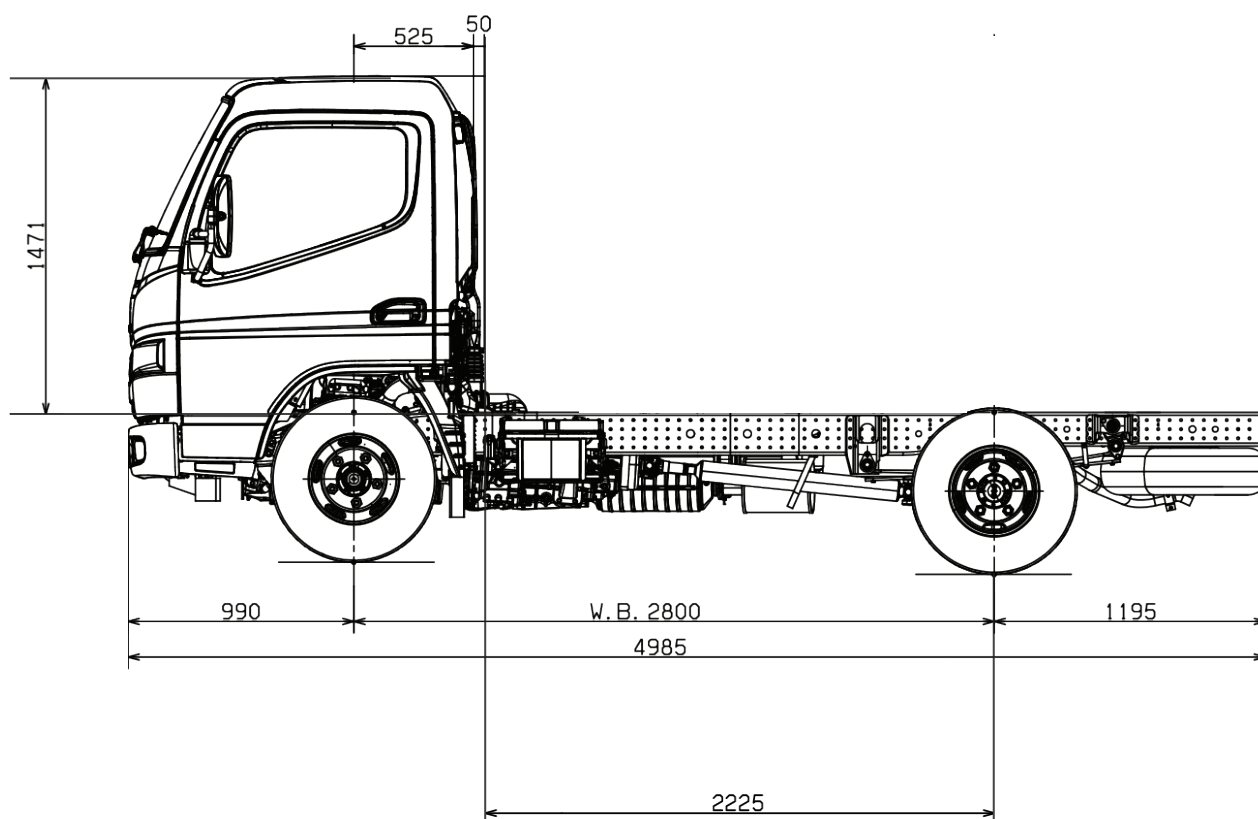
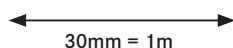


CITY CAB DUONIC | 4x2

FEA21CR3SFBG

BODYBUILDER PROFILE

PLEASE NOTE: PRINT AT 100% SIZE FOR SCALE



FEA21CR3SFBG

TECHNICAL DRAWINGS

PLEASE NOTE: PRINT AT 100% SIZE FOR SCALE

↔
20mm = 1m

